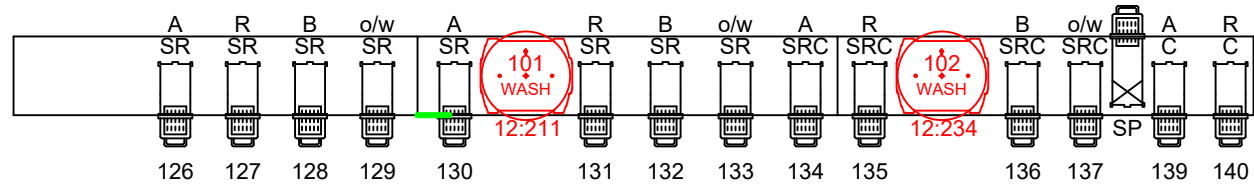


ND 850

964

965

138



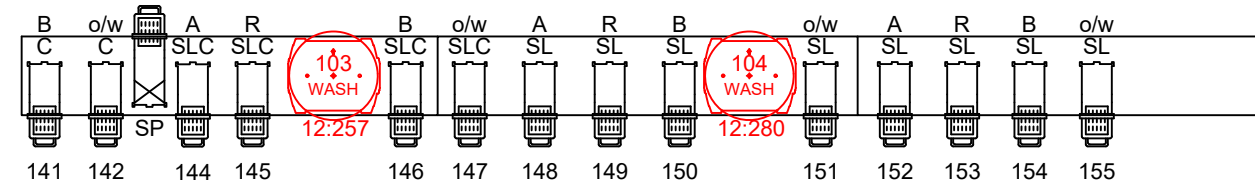
LVR 111

DMX CAT6

965

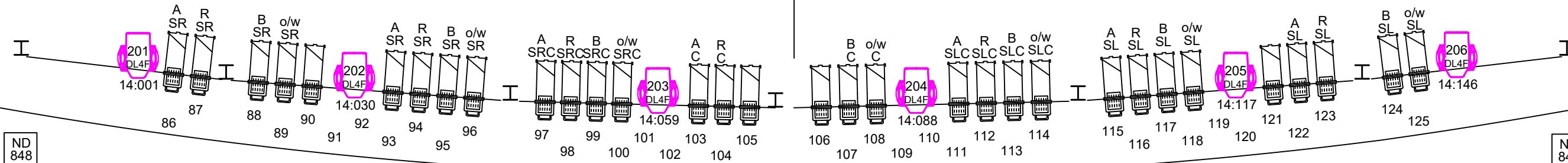
966

143



FOH 1

1 FOH +40' 6" @ 7' 10" (77°) from setting line.



ND 848

ND 849

DMX CAT6

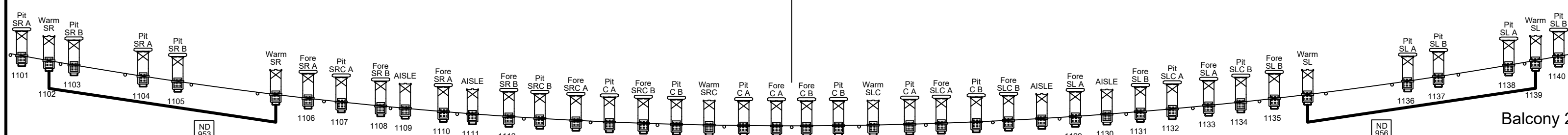
FOH 2

1381  
1382  
Wall Wash  
(Banner light)

LVR 112

2 FOH +46' 10" @ 17' 4" (70°) from setting line.

1377  
1378  
Wall Wash  
(Banner light)



ND 953

ND 956

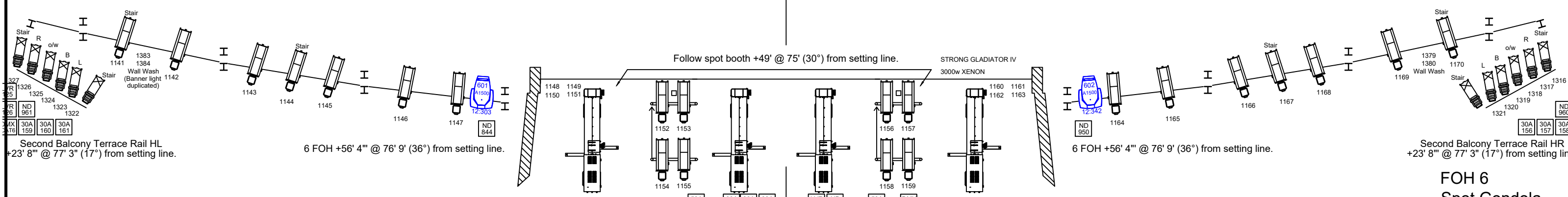
Balcony 2

ND 954

ND 955

50A 919 50A 920 DMX x2 CAT6 x2 LVR 120 LVR 119

Bulkhead



6 FOH +56' 4" @ 76' 9" (36°) from setting line.

Follow spot booth +49' @ 75' (30°) from setting line.

6 FOH +56' 4" @ 76' 9" (36°) from setting line.

Second Balcony Terrace Rail HR +23' 8" @ 77' 3" (17°) from setting line.

FOH 6  
Spot Gondola